

SERIES SV830 PLASTIC SOLENOID VALVE

Specification:

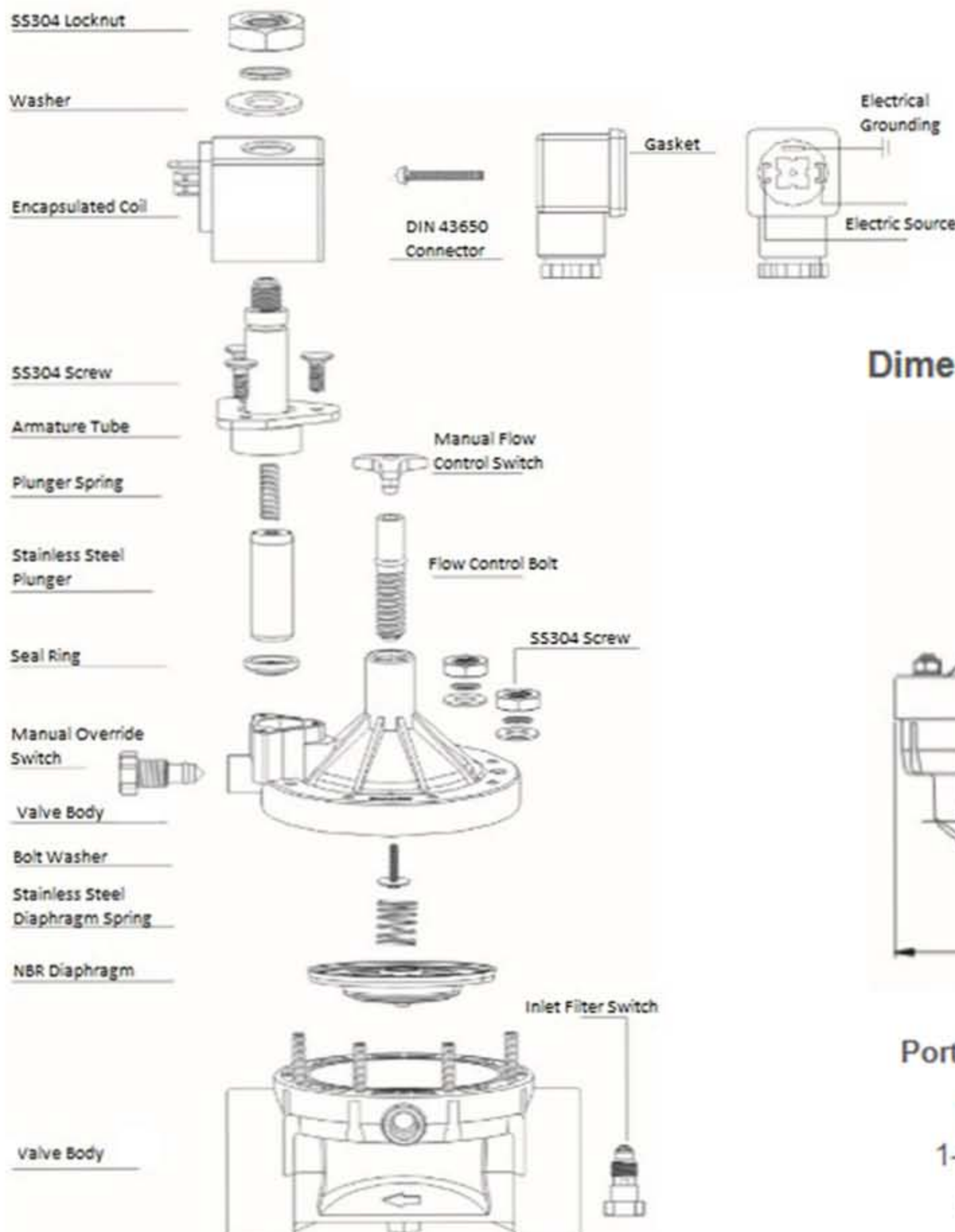
Valve Type: 2 Way Normally Closed
Service Media: Air, Gas, Liquid, Water
Operation Model: Pilot
Body Material: PA66 Plastic
Seal Material: NBR (Buna N)
Coil Power: DC -13W ; AC - 25VA
Coil Class: H Class IP 65
Coil Duty: 100% ED (Continuous Duty)
Operating Pressure: 5 PSI to 110 PSI
Operating Temperature: 0 to 60°C
Port Size: 1", 1-1/2", 2" Inch NPT Female Port
Coil Voltage Option: 12V DC, 24V DC, 24V AC, 110V AC, 220V AC
Voltage Tolerances: DC: +10% -5% ; AC: +10% -15%
Electrical Connection: DIN 43650A Connector with LED Indicator



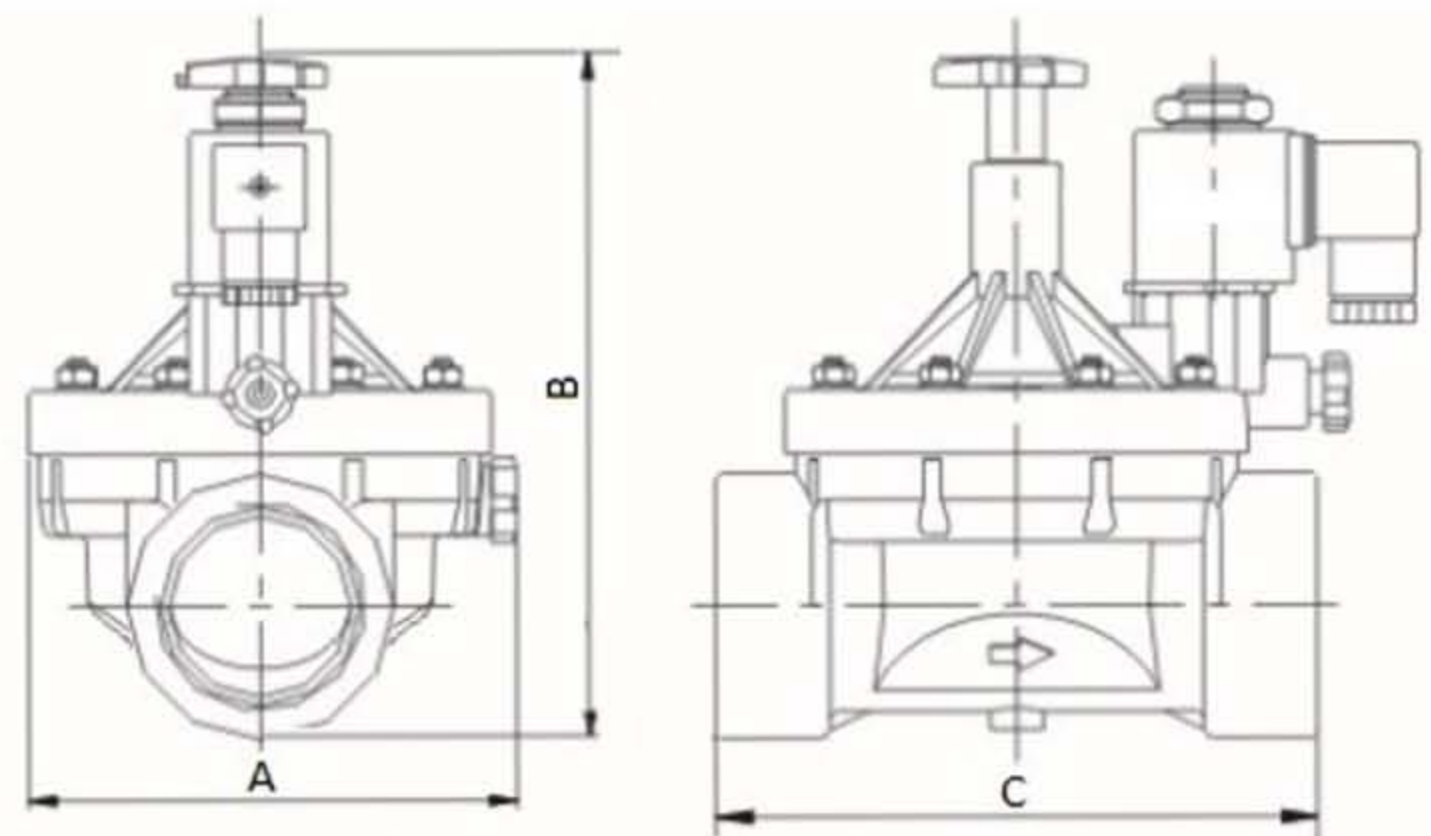
Valtorc USA's 2 Way Normally Closed Plastic Electric Air, Gas, Water Solenoid Valve With Manual Override

Valtorc USA's 2-way normally closed electric solenoid process valve is to control On/Off of air, inert gas, liquid, and water. This solenoid valve has one inlet and one outlet port. Valve stays close when the coil is de-energized, and it opens when energized. Valtorc USA's solenoid valve with manual override switch, valve can be opened manually when no electricity supply. Valve can be mounted in any position.

Components:



Dimensions:



Port (NPT)	Flow Rate (Cv)	Orifice Size	A	B	C
1"	12	25	90	148	125
1-1/2"	30	40	128	176	152
2"	48	50	140	190	170