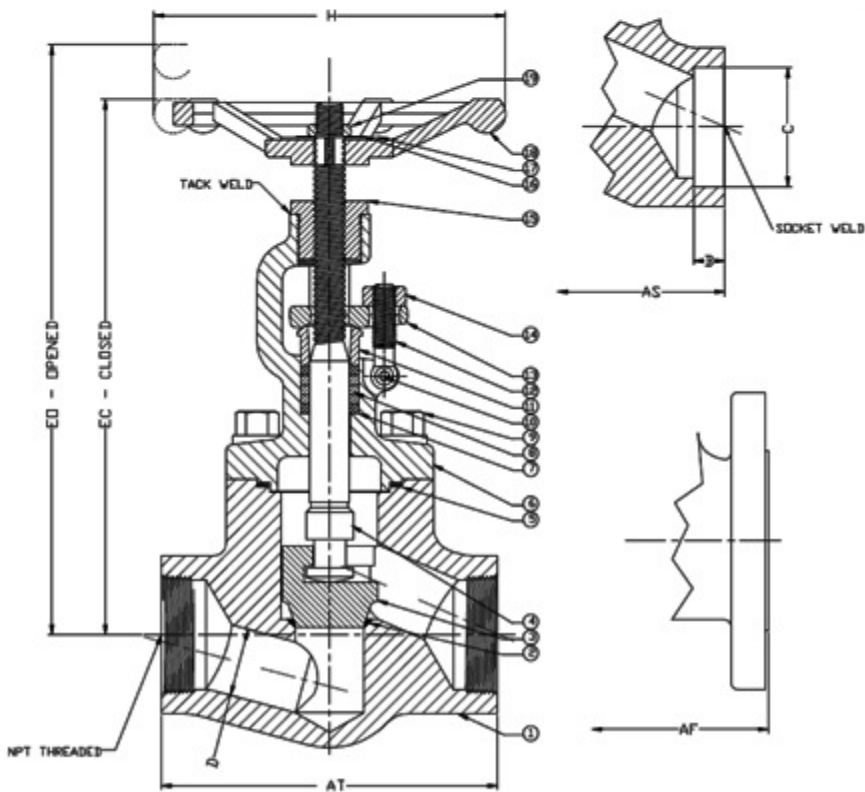


## SERIES 420 FORGED STEEL GLOBE VALVES



**STANDARDS DESIGN:**  
 API 602  
 MSS SP-118  
 ASME B16.34

**TESTING:**  
 API 598

**PRESSURE CLASS:**  
 NPT & SW – 800  
 FLANGED – 150,300,600

**CONNECTIONS:**  
 NPT – ASME B1.20.1  
 SW - ASME B16.11  
 FLANGED – ASME B16.5  
 ASME B16.10

MATERIAL LIST								
NO.	Part Name	A105	LF2	F5	F9	F11	F22	F316/F316L
1	Body	A105N	A350-LF2	A182-F5	A182-F9	A182-F11	A182-F22	A182-F316/F316L
2	Seat Ring	A276-410/CoCr-A						A276-316/CoCr-A
3	Disc	A276-410						A276-316
4	Stem	A276-410						A276-316
5	Gasket	Spiral Wound 304/Graphite						316/Graphite
6	Bonnet	A105N	A350-LF2	A182-F5	A182-F9	A182-F11	A182-F22	A182-F316/F316L
7	Wiper Ring	Braided Graphite						
8	Packing	Die Formed Graphite						
9	Body Bolt	A193-B7	A193-B8M	A193-B16			A193-B8M	
10	Eyebolt Pin	A276-410						A276-316
11	Gland	A276-410						A276-316
12	Eyebolt	A193-B7	A193-B8M	A193-B16			A193-B8M	
13	Gland Plate	A105						A182-F316
14	Gland Nut	A194-2H	A194-8M					
15	Op Nut	A276-410						A276-316
16	Washer	A276-410						
17	Nameplate	Aluminum						
18	Handwheel	KTH330-08						
19	Handwheel Nut	LY12 Steel						

DIMENSIONS AND WEIGHTS													WGT.			
SIZE		AT	AS	AF-150	AF-300	AF-600	B	C	D (Min)	EO	EC	H	150	300	600	800
1/2	Inch	3.11	3.11	4.25	5.51	6.50	0.37	0.87	0.39	6.18	5.83	3.94	7.61	8.38	12.35	5.03
	mm	79.00	79.00	108.00	140.00	165.00	9.50	22.0	10.00	157.00	148.00	100.00	3.45	3.80	5.60	2.28
3/4	Inch	3.62	3.62	4.61	5.98	7.48	0.49	1.07	0.51	6.38	5.98	3.94	8.82	11.24	17.20	5.22
	mm	92.00	92.00	117.00	152.00	190.00	12.50	27.4	13.00	162.00	152.00	100.00	4.00	5.10	7.80	2.37
1	Inch	4.37	4.37	5.00	6.50	8.50	0.49	1.34	0.71	7.56	7.05	4.92	13.65	15.87	27.56	9.48
	mm	111.00	111.00	127.00	165.00	216.00	12.50	34.1	18.00	192.00	179.00	125.00	6.19	7.20	12.50	4.30
1-1/4	Inch	4.72	4.72	5.51	7.01	9.02	0.49	1.68	0.87	9.92	9.13	6.30	21.15	25.25	37.50	17.20
	mm	120.00	120.00	140.00	178.00	229.00	12.50	42.9	22.00	252.00	232.00	160.00	9.60	11.50	17.00	7.80
1-1/2	Inch	5.98	5.98	6.50	7.48	9.49	0.49	1.92	1.18	9.92	9.13	6.30	23.15	29.76	51.81	17.20
	mm	152.00	152.00	165.00	190.00	241.00	12.50	49.0	30.00	252.00	232.00	160.00	10.50	13.50	23.50	7.80
2	Inch	6.77	6.77	7.99	8.50	11.50	0.63	2.41	1.42	11.38	10.24	7.09	37.48	43.43	85.54	27.56
	mm	172.00	172.00	203.00	216.00	292.00	16.00	61.5	36.00	289.00	260.00	180.00	17.00	19.70	38.80	12.50