

## VALTORC EL-300 ELECTRIC ACTUATOR

**Captive Cover Bolt**  
 Prevents loss when cover is removed for adjustments.

**Manual Override**  
 Stainless Steel with wrench flats for easy manual operation.

**Fine Adjust Cams**  
 Allows 90° to 270° operation.

**Potted Leads**  
 Optional sealed leads prevents moisture ingress from conduit runs.

**NEMA 4,4X Housing Design**  
 Polyester powder coated aluminum cover and base are conversion coat pre-treated for superior corrosion resistance.

**Ball Bearing Support**  
 Ball bearings on both the upper and lower rotor shaft provide greater reliability.

**Heavy Duty PSC Motor**  
 High torque motor with automatically re-setting thermal protector to prevent overheating.

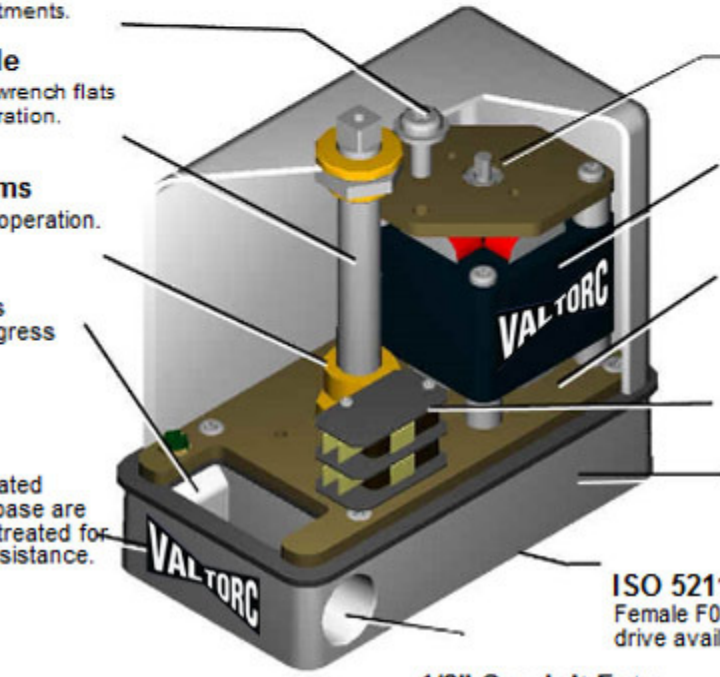
**High Strength Gears**  
 All gears are heat treated alloy steel designed to AGMA standards and able to withstand stall torque conditions.

**15amp SPDT Switches**  
 Two extra switches are also available, including field kits.

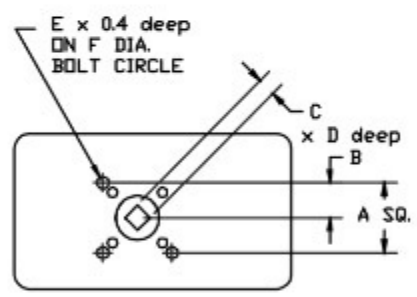
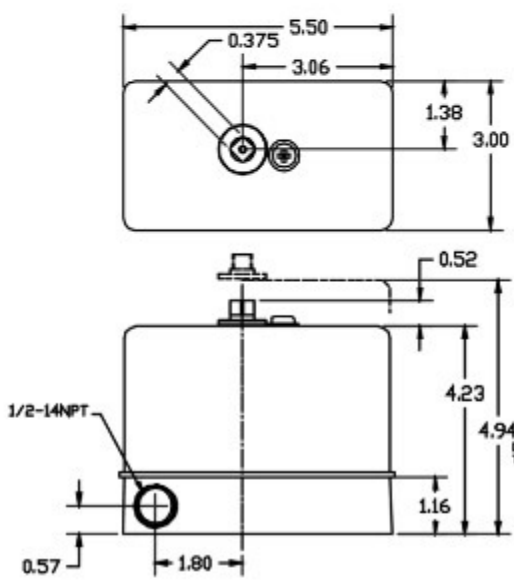
**Dependable**  
 Permanently Lubricated gear train.

**ISO 5211 Mounting Pad**  
 Female F03, F04, F05 Square or Diamond drive available. Stainless Steel.

**1/2" Conduit Entry**  
 Extra 1/2" entry optional.



Output Torque	Speed Sec/90°							
	In-lbs	Nm	115Vac	115Vac	12Vdc	24Vdc	230Vac	24Vac
125	14	3	3	3	3	3	3	3
300	34	7	-	6	6	7	6	6



ISO	A	B	C	D	E	F
F03	1.002	0.501	0.354	0.630	M5TAP	1.42
F04	1.169	0.585	0.433	0.630	M6TAP	1.65
F05	1.392	0.696	0.551	0.630	M6TAP	1.97

# VALTORC EL-300 ELECTRIC ACTUATOR

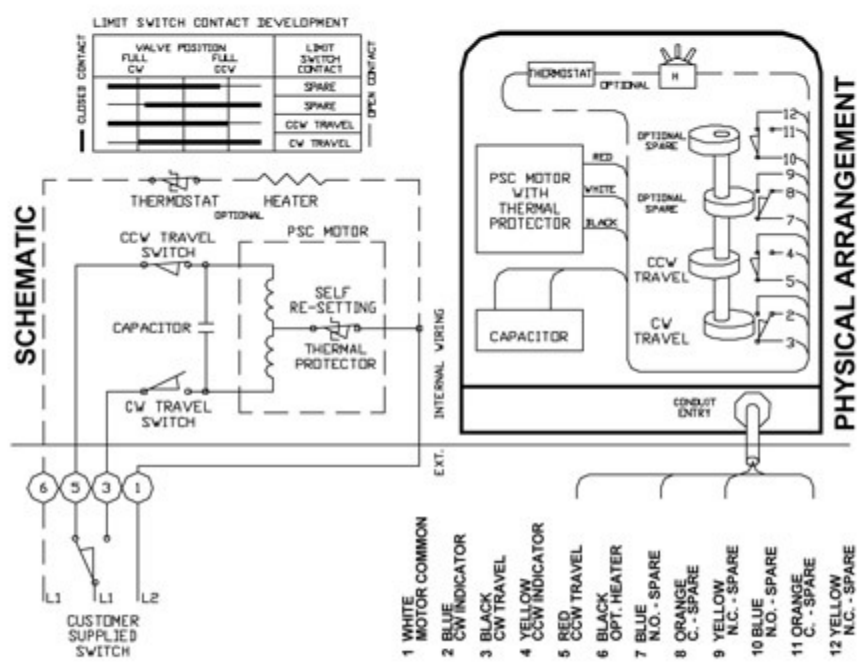
<b>Action</b>		Reversible
<b>Operating range</b>		0° - 270°
<b>Supply Voltages</b>	AC: +/-10% 50/60Hz	115Vac 230Vac 24Vac
	DC:	12Vdc 24Vdc 90Vdc
<b>Temperature Rating</b>	w/o heater	0°F to 160°F (-18°C - 71°C)
	with heater	-40°F (-40°C)
<b>Enclosure Rating</b>		Designed for Nema 4, 4X
		Designed for Nema 4, 4X,7,9
<b>Motor Types</b>	AC:	Permanent Split Capacitor, Class B Insulation
	DC:	Brush Type
<b>AC Motor Thermal Protection</b>		Automatically resetting
<b>Travel and Aux. Switches</b>		SPDT, Form C 15amp 125Vac, 1/2Hp 10amp 250Vac 1/2amp 125Vdc
<b>Conduit Connections</b>		1/2NPT
<b>Manual Override</b>		300in-lbs Max input
<b>Corrosion Protection</b>		Anodized
		Chromate Conversion Coated polyester electrostatic powder top coat
<b>Terminal Strip Hookup</b>		300V, 30amp, 12-26AWG
<b>Lubrication</b>		Permanently Lubricated
<b>Gear Train</b>		Heat treated alloy steel able to withstand stall torque conditions



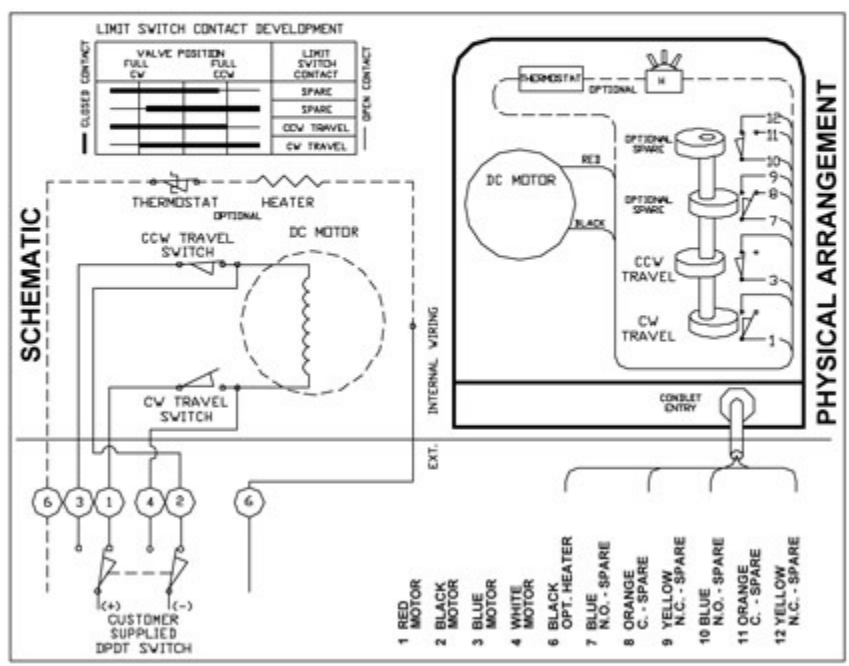
## VALTORC EL-300 ELECTRIC ACTUATOR

### Wiring Diagrams

#### 115/230 Vac - Reversible



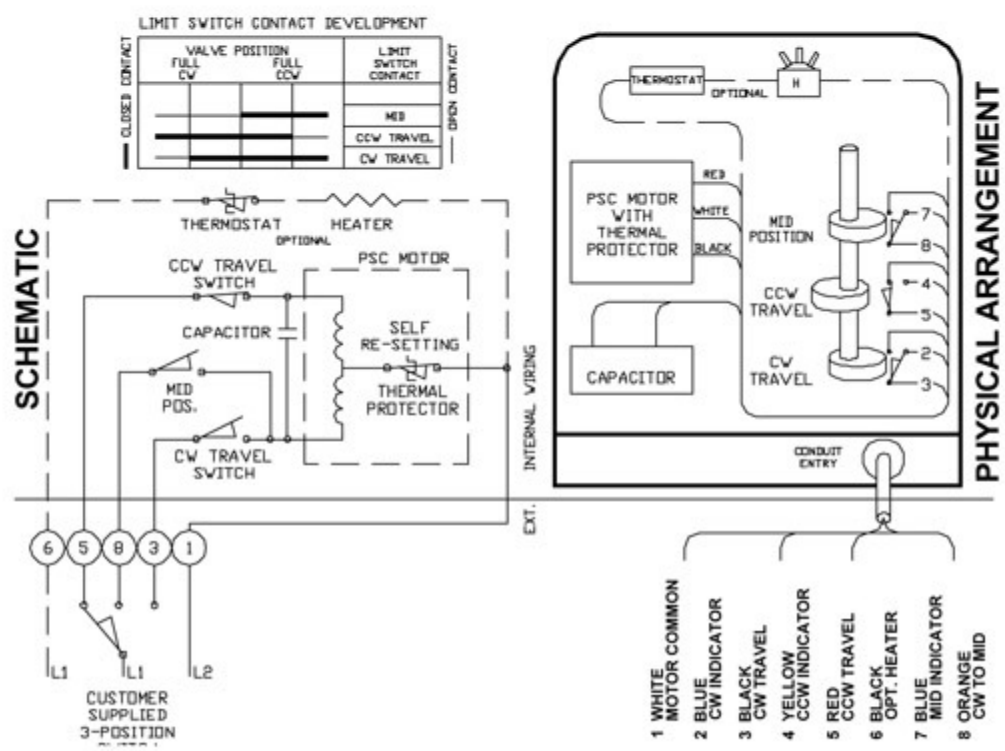
#### 12/24 Vdc - Reversible



## VALTORC EL-300 ELECTRIC ACTUATOR

### Wiring Diagrams

### 3-Position "Dribble Control"



### 24Vac – Reversible

